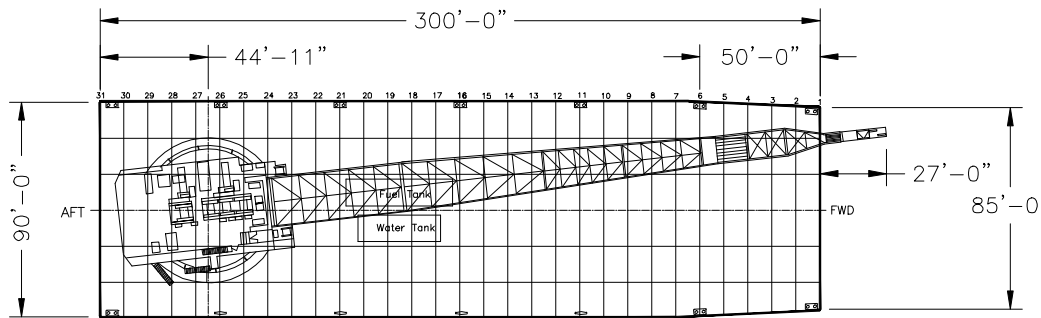


OUTBOARD PROFILE



DECK PLAN

CRANE BARGE "WEEKS 533"
DIMENSIONS, CAPACITIES AND EQUIPMENT

BARGE:

American Bureau of Shipping Class +A1 Barge
 U.S. Coast Guard Certificate as Crane Barge
 Official Number 501953
 Gross Tonnage 4884
 Steel Hull With Flush Deck, Raked Bow and Square Stern
 Length- 300 Feet
 Breadth- 90 Feet
 Depth- 22 Feet
 Transverse and Longitudinal Bulkheads Dividing it
 into 21 Watertight Compartments..
 Forward 3 Compartments Water Ballasted.

Framing:

Bottom and Side longitudinals -12" Channels spaced 30"
 Full transverse Frames - 36" Flanged Plates spaced 10"
 Bulkhead Stiffeners - 12" Channels
 Deck longitudinal - 8" Channels spaced 30"
 Columns made up of 24" Beams throughout Hull
 Shell Plating is 1/2" and 5/8"

20,000 Gallon Ship Service Water Tank
 41,000 Gallon Diesel Fuel Tank

REVOLVER CRANE:

Clyde Iron Works, Duluth, Minnesota - Serial No. CW3869,
 Model 52-DE-210+30+15
 Roller Circles - 2 Rails, 49'-8" and 52'-0" Diameter
 156 Rollers, 20" Diameter
 Bullgear, 44'-0" Diameter
 Counterweight: Pig Iron Ingot and Grout - 441 Tons
 Approximate Crane Weight: 1,200,000 Lbs - 600 Tons
 Capacities and Wire Rope:

Main Block:

210 Foot Boom 500 Tons at 70 Foot Full Revolving
 700 Tons at 70 Foot over Stern
 290 Foot Boom 225 Tons at 90 Foot Full Revolving
 400 Tons at 90 Foot over Stern
 24 Parts 1 1/2" Dia. Rope, 6100 Feet, 6 x 25
 IWRC (210 Foot Boom)

Auxiliary Block - 210 Foot Boom

100 Tons at 180 Feet
 6 Parts 1 3/8 Dia. Rope, 2000 Feet, 6 x 25 IWRC Rope
 Whip Block -210 Foot Boom
 25 Tons Flat Boom
 2 Parts 1 3/8 Dia. Rope, 1150 Feet, 6x25 IWRC Rope

Boom Hoist:

20 Parts, 1 5/8 Dia. Rope, 7125 Feet, 6 x 25 IWRC Rope

Line Pulls:

Main Hoist - 57,000 Lbs. at 210 fpm, all Layers
 Auxiliary and Whip Hoist - 42,000 Lbs at 275 fpm, all Layers
 Boom Hoist- 67,000 Lbs at 160 fpm, all layer

Main Hoist Power Sources:

3412 Caterpillar Diesel Engine With Allison Transmissions
 Parkersburg Hydrotarder With Formsprag Clutch and Band
 Brakes on each Hoist.

Boom Hoist Power Sources:

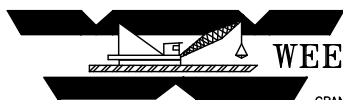
3408 Caterpillar Diesel Engine With Allison Transmissions
 Parkersburg Hydrotarder With Formsprag Clutch and
 Band Brakes on each Hoist.

Auxiliary Generator:

3f, 60 Hz, 480/240V, 350KW powered by
 3406 Caterpillar Diesel Engine

Swinger:

D.C. Electric, 1/2 RPM.
 Powered by 2- 150 HP. D.C. Electric Motors
 Power Source: 240 KW, D.C. Generator
 3412 Caterpillar Diesel Engine
 4 - Wichita Clutch Company Air Tube Disc Swing Brakes



WEEKS MARINE, INC.

4 COMMERCE DR.
 CRANFORD, NJ 07016-2497 (908) 272-4010

533 GENERAL ARRANGEMENT

SCALE: 1"=60'

REF DRAWING: 533101-01Rev1

PAGE 1 OF 2