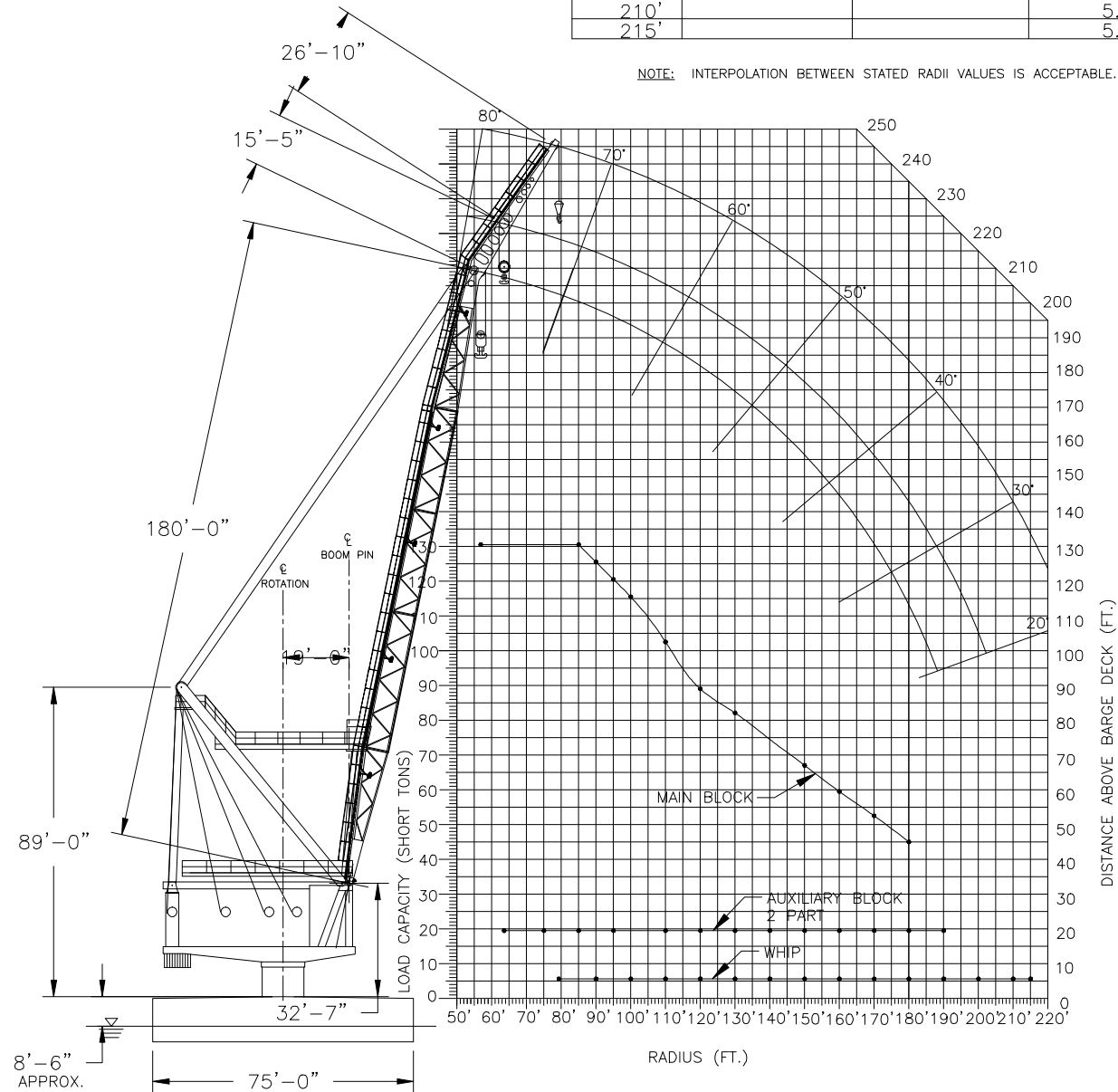


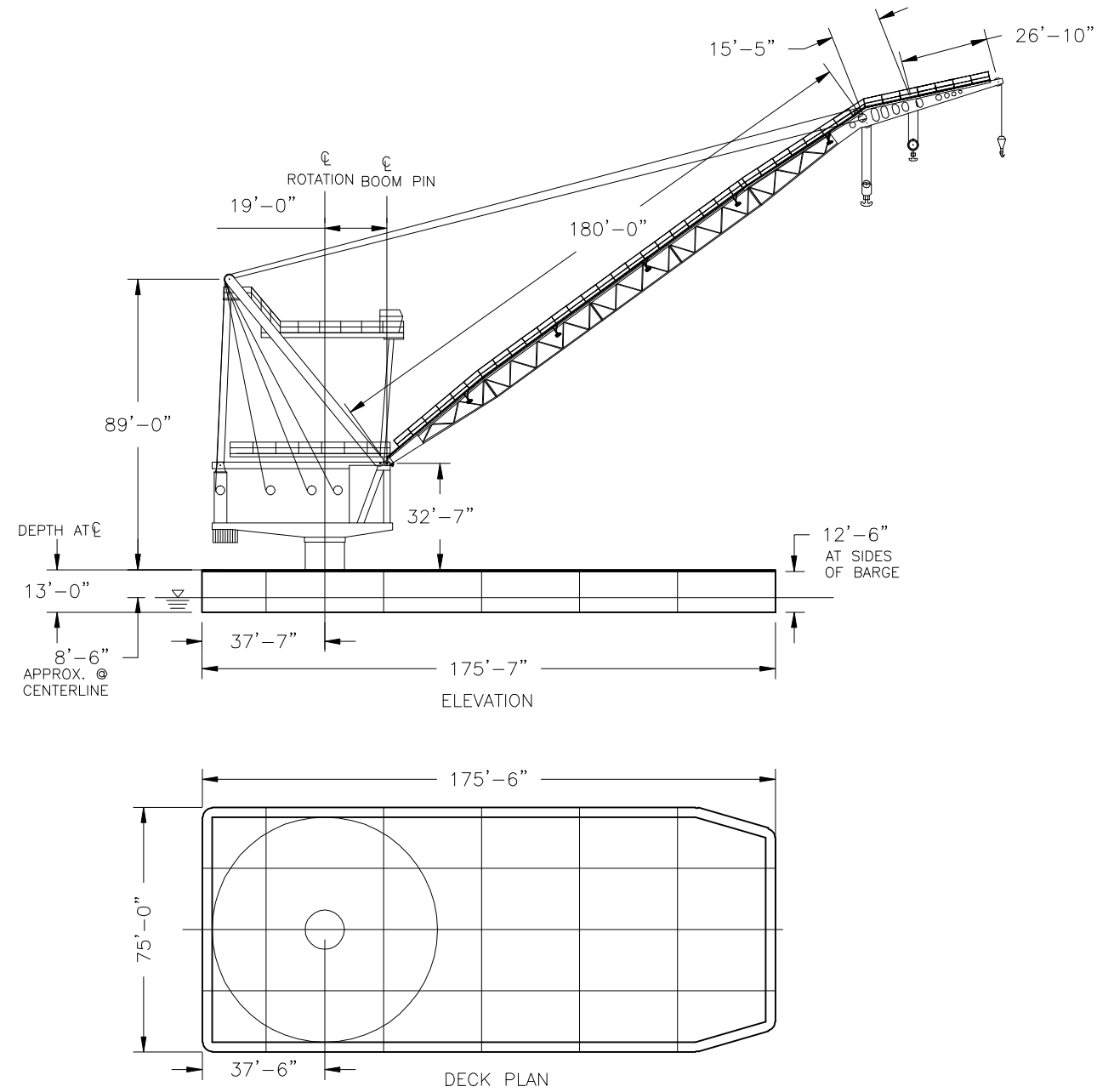
WEEKS 527 CAPACITY CHART (180' BOOM)

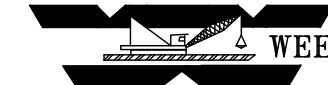
FULLY ROTATING			
RADIUS (FEET)	MAIN BLOCK (SHORT TONS)	AUX BLOCK 2 PART (SHORT TONS)	WHIP (SHORT TONS)
TO 85'	130	19	5.1
90'	125	19	5.1
95'	120	19	5.1
100'	115	19	5.1
110'	102	19	5.1
120'	88.5	19	5.1
130'	81.5	19	5.1
140'	74	19	5.1
150'	66.5	19	5.1
160'	59	19	5.1
170'	52	19	5.1
180'	44.5	19	5.1
190'	-	19	5.1
200'	-	-	5.1
210'	-	-	5.1
215'	-	-	5.1

NOTE: INTERPOLATION BETWEEN STATED RADII VALUES IS ACCEPTABLE.



NOTE: BARGE DEPTH IS 13'-0" AT CENTERLINE AND 12'-6" AT SIDES.



NO.	DATE	REVISION	BY
 WEEKS MARINE, INC. 4 COMMERCE DR CRANFORD, NJ 07016-2497 (908) 272-4010			
<h2>527 CAPACITY CHART & GENERAL ARRANGEMENT</h2>			
DRAWN BY: D.HALE	SCALE: 1:50	DWG. NO. 527123108	SIZE 11X17
CHECKED BY:	DATE: 12/31/08	CAD FILE NAME: 527-DJH-123108	REV NO.
APPROVED BY:	SHEET SHEET_1_OF_1	REF: MISC. MISC.	REV.0